

**U.S. DEPARTMENT OF AGRICULTURE
FOREST SERVICE**

SPECIFICATION

KITS, FIRST AID

1. SCOPE AND CLASSIFICATION

1.1 Scope. This specification covers four types of first aid kits used primarily by field crews.

1.2 Classification. The first aid kits shall be of the following types, as specified:

- Type I - Individual
- Type II - Small Crew (8 to 10 persons)
- Type III - Large Crew (20 to 25 persons)
- Type IV - Belt Kit (20 to 25 persons)

2. APPLICABLE DOCUMENTS

2.1 Government documents.

2.1.1 Specifications, standards, and handbooks. The following specifications, standards, and handbooks form part of this document to the extent specified herein. Unless otherwise specified, the issues of these documents shall be those in effect on the date of the invitation for bids or request for proposal (see 6.2).

SPECIFICATIONS

FEDERAL

L-P-390 - Plastic, Molding and Extrusion Material, Polyethylene and Copolymers (Low, Medium and High Density)

USDA FOREST SERVICE

6170-14 - Case, Belt First Aid Kit

Beneficial comments (recommendations, additions, deletions) and any pertinent data that may be used in improving this document should be addressed to: USDA Forest Service, Missoula Technology and Development Center, 5785 Highway 10 West, Missoula, MT 59808 by using the Specification Comment Sheet at the end of this document or by letter.

6170-6H

STANDARDS

FEDERAL

FED-STD-123 - Marking for Civil Agencies

FED-STD-376 - Preferred Metric Units for General Use by the Federal Government

FED-STD-595 - Colors (Requirements for Individual Color Chips)

(Unless otherwise indicated, copies of federal and military specifications, standards, and handbooks are available from the Defense Automated Printing Service, Building 4D, 700 Robbins Ave., Philadelphia, PA 19111-5094. Copies of Forest Service specification 6170-14 are available from the preparing activity (6.6).)

2.1.2 Other Government documents, drawings, and publications. The following other Government documents, drawings, and publications form a part of this specification to the extent specified herein. Unless otherwise specified, the issues in effect on the date of the invitation for bids or request for proposal shall apply.

DOCUMENTS

U.S. DEPARTMENT OF HEALTH AND HUMAN SERVICES

21 USCA Section 301 - Chapter 21 of the United States Code Amended, Section 301, the Federal Food, Drug, and Cosmetic Act

U.S. DEPARTMENT OF LABOR, OCCUPATIONAL SAFETY AND HEALTH ADMINISTRATION

29 CFR 1910.1030 - General Industry Standards

(The United States Code and the Code of Federal Regulations are for sale from the Superintendent of Documents, U.S. Government Printing Office, Washington, DC 20402-9325. Reprints of certain regulations may be obtained from the Federal agency responsible for issuing them.)

2.2 Non-Government publications. The following documents form a part of this specification to the extent specified herein. Unless otherwise specified, the issues in effect on the date of the invitation for bids or request for proposals shall apply.

AMERICAN NATIONAL STANDARDS INSTITUTE, INC. (ANSI)

Z308.1-2003 - American National Standard Minimum Requirements for Workplace First Aid Kits, 2003 Revision

(Address requests for copies to the American National Standards Institute, Inc., 11 West 42nd St., New York, NY 10036.)

AMERICAN SOCIETY FOR QUALITY (ASQ)

Z1.4 - Sampling Procedures and Tables for Inspection by Attributes

(Copies can be obtained from the American Society for Quality, 600 North Plankinton Avenue, Milwaukee, WI 53203.)

ASTM

- D 883 - Standard Terminology Relating to Plastics
- D 1974 - Standard Practice for Methods of Closing, Sealing, and Reinforcing Fiberboard Shipping Containers
- D 3951 - Standard Practice for Commercial Packaging
- D 5118 - Standard Practice for Fabrication of Fiberboard Shipping Boxes

(Copies are available from ASTM International, 100 Barr Harbor Dr., West Conshohocken, PA 19428-2959.)

NATIONAL MOTOR FREIGHT TRAFFIC ASSOCIATION, INC., AGENT

National Motor Freight Classification

(Address requests for copies to American Trucking Associations, Inc., 2200 Mill Rd., Alexandria, VA 22314.)

STAY WELL

First Aid Fast (Red Cross publication #652117).

(Address requests for copies to Stay Well, 780 Township Line Road, Yardley, PA 19067 800-667-2968.)

U.S. PHARMACOPEIAL CONVENTION, INC.

The United States Pharmacopoeia

(Address requests for copies to U.S. Pharmacopoeia Convention, Inc., 12601 Twinbrook Parkway, Rockville, MD 20852.)

(Non-Government standards and other publications are normally available from the organizations that prepare or distribute the documents. They also may be available through libraries or other informational services.)

2.3 Order of precedence. In the event of a conflict between the text of this document and the references cited herein, the text of this document takes precedence. Nothing in this document, however, supersedes applicable laws and regulations unless a specific exemption has been obtained.

3. REQUIREMENTS

3.1 First article. Unless otherwise specified (see 6.2), a sample of each type of first aid kit shall be subjected to first article inspection (see 6.3) in accordance with 4.3.

3.2 Materials and components. Materials and components shall be as specified in the referenced documents and herein.

3.2.1 Type I case. The material shall be in accordance with type I, grade 1, of L-P-390 and shall be in the configuration and dimensions shown in figure 1.

3.2.2 Type II case. The case shall be a type III, unit size 24, in accordance with ANSI Z308.1. The case shall have a handle, two latches, and wall mounting hangers on the same end. The case shall be finished with a rust and acid resistant white baked enamel if metal, or be white if plastic.

3.2.2.1 Rubber gasket. The case lid shall have a natural or synthetic rubber gasket for the purpose of sealing the case against moisture and dust. The gasket shall be firmly affixed to the lid and be of such construction and placement that it furnishes a tight seal when the lid is latched in the closed position.

3.2.3 Type III case. The case shall be a type III, unit size 36, in accordance with of ANSI Z308.1. The case shall have a handle, two latches, and wall mounting hangers on the same end. If metallic, the case shall be finished with a rust and acid resistant white baked enamel, if plastic, the case shall be white.

3.2.4 Type IV case. The case shall be constructed in accordance with Forest Service specification 6170-14.

3.2.5 Permanent markings. The exterior lid surface of the type II and type III cases shall be silk-screened printed with the words "FIRST AID KIT" and with a first aid symbol. The characters shall be $5/8 \pm 1/16$ inch high and the first aid symbol shall measure $2-5/8$ inches by $2-5/8$ inches $\pm 1/8$ inch. Both shall be centered on the lid and oriented so they are readable with the latches at the top. Refer to figure 2 for positioning on the case lid and details of the first aid symbol. The characters and dark parts of the symbol (see figure 2) shall be a dark green that matches pantone color 350c or color 34090 of FED-STD-595. The dark green parts of the symbol, including the portion that forms the cross outline shall be silk-screened directly onto the case lid so that the white baked enamel of the lid serves as the white parts of the symbol.

6170-6H

3.2.5.1 Alternate marking for Type II and Type III cases. Unless otherwise specified, the following marking requirements shall be allowed in lieu of 3.2.5. A label shall be placed on the exterior lid surface of the type II or type III cases. The label shall be printed with the words "FIRST AID KIT" and with a first aid symbol. The characters shall be $5/8 \pm 1/16$ inch high and the first aid symbol shall measure $2-5/8$ inches by $2-5/8$ inches, $\pm 1/8$ inch. The label shall be centered on the lid and oriented so the markings are readable with the latches at the top. Refer to figure 2 for positioning on the case lid and details of the first aid symbol. The characters and dark portions of the first aid symbol (see figure 2) shall be a dark green that matches pantone color 350c or color 34090 of FED-STD-595. The label shall measure approximately 6 inches in width and 5 inches in height. The label shall be UV resistant and weather resistant. The label background shall be gloss white.

3.3 Unit containers. Unit container in this document refers to paperboard boxes, plastic envelopes, or resealable plastic bags. The paperboard boxes shall be size 1 or 2 as specified in ANSI Z308.1, paragraph 6.2.2. Tear strips on the overwrap are allowed. The plastic envelopes and bags used as unit containers shall have a minimum thickness of 1-1/2 mil, except that the bag used to package the body fluids barrier kit shall be 4 mil thick. The plastic envelopes shall be heat sealed with excess air excluded during the sealing process. The resealable plastic bags shall have an interlocking closure that can be readily opened and closed.

3.3.1 Labels. Kit contents may have printed labels that are affixed directly to the unit container or bottle or the label information may be screened directly onto their containers.

3.3.2 Shrink wrapping. Where shrink wrapping for a tamper evident seal is required, perforations are acceptable to allow easy removal of the seal.

3.4 Regulatory requirement. For those components included in this document that have been determined by the Food and Drug Administration to be under its jurisdiction, the contractor shall comply, and be responsible for compliance by all its subcontractors and suppliers, with the requirements of the Federal Food, Drug and Cosmetic Act, Amended. Any company manufacturing, preparing, processing, or assembling the gloves, face shields, and mouth-to-mouth barriers for inclusion in the first aid kits covered by this specification shall have an FDA establishment number, and each of these medical devices shall be listed with the FDA and have current 510(k) numbers, which shall be provided with first article samples (see 4.3.3). These devices shall be produced in accordance with FDA Good Manufacturing Practice regulations as defined in 21 CFR. The 510(k) certification number requirement is duplicated in Title 21 of the United States Code (USC), chapter 9, paragraph 360(k). In addition, the contractor shall comply, and be responsible for compliance by its subcontractors or suppliers, with the requirements of all other applicable Federal, State, and local statutes, ordinances, and regulations.

3.5 Description of kit components.

3.5.1 Antiseptic Kit. This kit shall contain:

- 1 bottle povidone iodine (3.5.1.1)
- 4 povidone iodine swabs (3.5.1.2)
- 6 gauze pads (3.5.1.3)
- 6 non-stick pads (3.5.1.3)

These items shall be packaged in a resealable plastic bag (see 3.3). "ANTISEPTIC KIT" and a listing of the components along with the expiration of the item that will expire first (either iodine bottle or iodine swabs) shall appear on the bag. The expiration date shall have not less than 24 months remaining when received from the contractor.

3.5.1.1 Povidone iodine. The 1/2 fluid ounce minimum povidone iodine shall be USP 10% antiseptic solution, equivalent to 0.85% to 1.20% w/v available iodine when determined by a suitable, accurate, and reproducible method. The iodine shall have a pH of 1.50 to 6.50 at 77°F when determined by USP method. The iodine shall be packaged in a 1/2-fluid ounce minimum, bottle. Product information may be screen printed on the bottle or printed on a paper label and affixed to the bottle (see 3.3.1). An expiration date shall appear on the bottle and shall have a minimum of 24 months remaining when received from the contractor. Tamper evident packaging is required. Either perforated shrink wrapping around the cap or sealing the bottle in a bag formed from polypropylene film and coated on one side with acrylic and on the other side with Saran (PVDC) shall meet this requirement. The bottle shall provide a tight seal that prevents any leakage regardless of the tamper-evident packaging method used. In addition to preventing leakage in the cap area, the bottle shall not permit leakage in the form of gases permeating through the walls of the bottle. Evidence of leakage shall include any staining or discoloration of surrounding items. The contractor shall certify that the bottle and cap containing the povidone iodine will not leak during shipping, handling, and storage for a period of 12 months.

3.5.1.2 Povidone iodine swabs. Each povidone iodine swab shall contain USP 10% antiseptic as required in 3.5.1.1. An expiration date shall appear on the unit item and shall have a minimum of 24 months remaining when received from the contractor. Swabs shall be in accordance with paragraph 5.1.1.4 of ANSI Z308.1.

3.5.1.3 Gauze and non-stick pads. Two types of pads shall be used in the antiseptic kit, gauze and non-stick. The gauze pad shall be either 2 by 2 inches $\pm 1/8$ inch, 12 ply, USP type VII gauze or a 2 by 2 inch $\pm 1/8$ inch sterile pad for general bandaging and wound cleansing that is absorbent and breathable. The non-stick pad shall be double sided non-woven, measuring 2 by 3 inches $\pm 1/8$ inch. Each pad shall be individually wrapped and sterilized.

3.5.2 Body fluids barrier kit. The body fluids barrier shall have the following components:

- 2 pair non-latex gloves (3.5.2.1)
- 1 face shield (3.5.2.2)
- 1 mouth-to-mouth barrier (3.5.2.3)
- 2 antiseptic towelettes (3.5.2.4)
- 1 biohazard disposal bag (3.5.2.5)
- 1 reclosable plastic bag (3.5.2.6)

The components listed above shall be packaged in the reclosable plastic bag. The components listed as medical devices (gloves, face shield, mouth-to-mouth barrier) shall have current FDA 510(k) numbers (see 3.4). In addition, the non-latex gloves and face shield shall provide an adequate level of protection for employees who are in situations where blood or other body fluids are in controlled or localized volumes and the primary risks arise from puncture spurts and splashes from a wound or contact with blood products and body fluids. Such employee exposure is likely to be in a first response situation and as such, exposure time should not exceed 30 minutes. In this context of use, the manufacturer or contractor shall certify that the non-latex gloves and face shield are "appropriate" personal protective equipment as defined by 29 CFR 1910.1030(d)(3).

3.5.2.1 Non-latex gloves. The non-latex gloves shall be a pair of size large ambidextrous nonsterile, unpowdered, synthetic, treatment gloves. The gloves shall be free from blooming, blisters, fish-eyes, frosting, shorts, foreign matter, visible holes, missing fingers, missing thumbs, fingers that are fused together, thumbs that are fused together, and any other nonconformities that impair their serviceability. The definitions of the first six nonconforming items shall be as specified in ASTM D 883.

3.5.2.2 Face shield. The face shield shall protect the mouth, nose, and eyes from body fluids. The materials making up the mask shall be made of polypropylene fibers of woven or nonwoven materials. The mask shall be pleated along its horizontal width to permit a snug fit at the nose and mouth. The mask shall be secured with soft stretch ear-loops and shall be large enough to completely cover the nose, mouth, and chin. The filtering efficiency of the mask shall not be less than 95% when tested by the method of Greene and Vesley (J. Bacteriol, Vol. 83, No. 3, p. 663, March 1982) or a comparable method to permit free breathing and unrestrained communication. A plastic eye shield shall be attached to the mask and extend 3 inches $\pm 1/4$ inch above the mask and the entire length of the mask as a minimum to protect the eyes. The plastic shall provide a clear, unobstructed, undistorted view. The face shield shall be packed so that the clear plastic eye shield is not bent in such a way as to cause the view through the eye shield to be distorted or otherwise impaired.

3.5.2.3 Mouth-to-mouth barrier. The mouth-to-mouth barrier shall be a medical device for CPR use listed with the FDA and have current 501(k) number. The barrier shall be of single unit construction and one of two types:

- (1) It shall have a 4-1/2 by 4-1/2 inch minimum clear vinyl barrier with an attached breathing tube/bite block measuring 1-1/2 inches $-1/16$, $+1/4$ inch, a positive anti-reflux valve, and a barrier that prevents blockage of the valve by a victim's tongue; or
- (2) It shall have a 5-1/2 by 5-1/2 inch minimum clear vinyl barrier with a 1-1/4 inch minimum diameter viral bacterial filter located in the center of the barrier.

Each type shall provide protection from direct contact with bodily fluids. Each mouth-to-mouth barrier shall be packaged in a sealed plastic envelope together with printed instructions.

3.5.2.4 Antiseptic towelettes. Antiseptic towelettes shall contain either benzalkonium chloride, alcohol, or alcohol/parachlorometaxynol. Each towelette shall be a minimum of 35 square inches in size and shall be packaged in a paper or foil packet.

3.5.2.5 Biohazard disposal bag. The biohazard disposal bag shall be a minimum 1.25 mil thick and of a plastic that is autoclavable to 250°F. It shall be red in color with the biohazard legend printed on one side. The bag shall measure a minimum 14 by 16 inches. A closure tie shall be taped to an outside surface near the bag's open end. The biohazard disposal bag with closure tie shall be folded to minimize bulk when placed in the body fluids barrier kit.

3.5.2.5.1 Biohazard disposal bag for type I kit. The biohazard disposal bag shall meet the requirements of 3.5.2.5, except the bag shall be a minimum 0.7 mil thick and shall measure a minimum 8-1/2 by 11 inches.

3.5.2.6 Plastic bag. The plastic bag for each set of kit components shall be clear, 4 mil minimum thick plastic of a reclosable design.

3.5.2.6.1 Labeling. Both sides of the plastic bag shall have identical stick-on paper labels: "BODY FLUIDS BARRIER KIT" shall be printed in a permanent black medium in 1/2 inch high minimum letters and kit contents in 3/32 inch high minimum letters in this format:

2 PAIR NON-LATEX GLOVES
1 FACE SHIELD
1 MOUTH-TO-MOUTH BARRIER
2 ANTISEPTIC TOWELETTES
1 BIOHAZARD DISPOSAL BAG

3.5.3 Bandages

3.5.3.1 Woven adhesive bandage. The woven adhesive bandages shall have release strips, wound pad, adhesive coating, and a woven base of a white or tan color. Each bandage shall measure 1 inch wide by 3 inches long ($\pm 1/16$ inch) and shall be individually packaged and sterilized. In the type II, III, and IV kits, the woven adhesive bandages shall be packed in a size 1 (single unit) paperboard box (see 3.3). "WOVEN ADHESIVE BANDAGES" shall appear on the top panel of this box. Box contents shall appear on box end panel, e.g., "Woven Bandage 25 each."

3.5.3.2 Knuckle bandage. The knuckle bandages shall contain release papers, a wound pad, adhesive coating, and woven base. Each bandage shall measure 3 by 1-1/2 inches $\pm 1/16$ inch. In the type II, III, and IV kits, the knuckle bandages and butterfly closures (3.5.3.3) shall be packed in a size 1 (single unit) paperboard box (see 3.3). "KNUCKLE BANDAGES AND BUTTERFLY CLOSURES" shall appear on the top panel of this box. Box contents shall appear on box end panel, e.g., "Knuckle Bandage 12 each"; "Butterfly Closure 16 each."

3.5.3.3 Butterfly closure. The butterfly closures shall have release strips and adhesive coating. Each closure shall measure 1/2 inch by 2-3/4 inches $\pm 1/16$ inch and shall be individually wrapped and sterilized. For the type II, III, and IV kits the bandages shall be packed as specified in 3.5.3.2.

3.5.3.4 Elastic bandage. The elastic bandage shall be 1 ply, 2 inches $\pm 1/8$ inch by a minimum of 4 yards stretched. It shall be rolled and may be compressed. The bandage shall be sterilized and sealed in a plastic envelope (see 3.3).

6170-6H

3.5.3.5 Triangular bandage. The triangular bandage shall be made from muslin of not less than 46/40 weave and have a minimum basis weight of 1.8 ounces per square yard. The bandage shall be a minimum 40 by 40 by 56 inches and shall be packaged in a plastic envelope minimum 0.5 mil thick. This bandage shall come with two safety pins with a minimum length of 1 inch each. "TRIANGULAR BANDAGE INCLUDING SAFETY PINS" shall be printed on the plastic envelope or on a label included in or affixed to the plastic envelope.

3.5.3.6 Bandage compress. Each bandage compress shall be made of two parts: a non-stick pad 3 by 6 inches minimum and a strip of gauze or gauze-like material 3 by 60 inches $\pm 1/4$ inch. The non-stick pad shall be attached to the gauze either in the middle or offset from one end. It shall be attached so that the non-stick pad can be folded in half. Two compresses sterilized and individually packaged in a sealed plastic or paper wrap or bag shall be packed in the single unit paperboard box. Removal of one bandage compress from the unit box shall not contaminate the other. "BANDAGE COMPRESS" shall appear on top panel of box. Box contents shall appear on end panel, e.g., "Bandage Compress 2 each."

3.5.3.7 Elastic support bandage. The elastic support bandage shall be 2 inches $\pm 1/8$ inch wide by a minimum 5 yards stretched and shall have two metal clips for securing the roll. The bandage shall be sealed in a plastic envelope a minimum of 0.5 mil thick.

3.5.3.8 Combine dressing. Acceptable sources for the combine dressing shall be the following: Johnson & Johnson 5 by 9 inch sterile dressing, style no. 2145; Kendall Healthcare Products Co. 7-1/2 by 8 inch sterile absorbent pad, style no. 9192; National Patent Medical 5 by 9 inch combine pad.

3.5.4 Adhesive tape. The adhesive tape shall be 1/2 $\pm 1/16$ inch by a minimum of 2-1/2 yards long and shall be individually packaged in a sealed plastic envelope. The tape shall be tightly rolled and have a cloth or plastic treated finish on the top side. The color shall be white or tan. In the type II, III, and IV kits, 3 tape rolls shall be packed in a size 1 (single unit) paperboard box (see 3.3). "ADHESIVE TAPE" shall appear on top panel of box. Box contents shall appear on end panel, e.g., "Adhesive Tape 3 rolls."

3.5.5 Moleskin. Each sheet of moleskin shall measure 4 by 4 inches $\pm 1/8$ inch. The sheets of moleskin shall be packaged in a suitably sized resealable plastic bag (see 3.3).

3.5.6 Face mask. The face mask shall protect the mouth and nose from body fluids. The materials making up the mask shall be made of polypropylene fibers of woven or nonwoven materials. The mask shall be pleated along its horizontal width to permit a snug fit at the nose and mouth. The mask shall be secured with soft stretch ear-loops and shall be large enough to completely cover the nose, mouth, and chin. The filtering efficiency of the mask shall not be less than 95% when tested by the method of Greene and Vesley (J. Bacteriol, Vol. 83, No. 3, pg. 663, March 1982) or a comparable method to permit free breathing and unrestrained communication. The mask shall be large enough to completely cover the nose, mouth, and chin. Each mask shall be packaged in a suitably sized plastic envelope.

3.5.7 Cold pack. The cold pack shall consist of a system of plastic bags. The innermost bag shall be breakable and contain as a minimum 45 grams of water. The water bag shall be contained in a bag a minimum 3 mil thick that also contains as a minimum 45 grams of ammonium nitrate. The system shall be sealed with a watertight seal to ensure against leakage. Use instructions and warnings shall be printed on the outer bag. The cold pack shall be packaged in a size 3 paperboard box (see 3.3). "INSTANT COLD PACK" shall appear on both top panel and end panel of box.

3.5.8 Eye wash solution. The eye wash solution shall meet paragraph 5.2.1.8 of ANSI Z308.1 shall be contained in a 1 ounce plastic container with either a dropper type replaceable cap or a twist off non-replaceable cap, two 1/2 ounce containers are acceptable. Product information may be screen printed on the bottle or printed on a paper label that is affixed to the bottle (3.3.1). On bottles with a replaceable top, shrink wrapping or other tamper evident seal is required (3.3.2). An expiration date shall appear on the bottle and shall have a minimum of 24 months shelf life remaining when received from the contractor. The eye wash solution, tincture of green soap (3.5.9), and calamine lotion (3.5.10) shall be packed in a resealable plastic bag (see 3.3). "EYEWASH/GREEN SOAP/CALAMINE" in some form shall appear on the bag.

3.5.9 Tincture of green soap. The green soap shall contain: softsoap, SD alcohol 27B, water and perfume (alcohol 28% to 32% by volume) and shall be labeled "for external use only." One-half fluid ounce of the soap shall be contained in a leak resistant squeeze bottle with a dropper type cap. Product information may be screen printed on the bottle or printed on a paper label that is affixed to the bottle (see 3.3.1). Shrink wrapping for a perforated tamper evident seal is required (see 3.3.2). The tincture of green soap shall be packed with the eye wash solution and calamine lotion as specified in 3.5.8.

3.5.10 Calamine lotion. The calamine lotion shall meet the requirements of the United States Pharmacopoeia (USP). All ingredients shall be of a pharmaceutical grade and shall be free from nonconformities that detract from its appearance or impair its serviceability. The calamine lotion, USP, shall be packaged in a one-half ounce minimum leak resistant squeeze bottle. Production information may be screen printed on the container or printed on a paper label that is affixed to the container (see 3.3.1). Shrink wrapping for a perforated tamper evident seal is required (3.3.2). The calamine lotion shall be packed with the eye wash solution and the tincture of green soap as specified in 3.5.8.

3.5.11 Aspirin tablets. Each tablet shall be USP, 325 mg and shall be sealed, two per packet, in paper, foil, or plastic. An expiration date shall appear on each packet and shall have a minimum shelf life of 24 months remaining when received from the contractor. For the type II, III, and IV kits, 15 packets of aspirin tablets shall be packed in a resealable plastic bag (see 3.3). A label with "Aspirin 15 packs 2 each" shall be on the bag. Full disclosure labeling as required by the Food and Drug Administration shall appear on the unit container or on the individual packets or both, at the option of the contractor.

3.5.12 Acetaminophen tablets. Each tablet shall be USP, 325 mg and shall be sealed, two per packet, in either paper, foil, or plastic. An expiration date shall appear on each packet and shall have a minimum shelf life of 24 months remaining when received from the contractor. For the type II, III, and IV kits, 15 packets of acetaminophen tablets shall be packed in a resealable plastic bag (see 3.3). "ACETAMINOPHEN" and "15 packs 2 each" shall be on the bag. Full disclosure labeling as required by the Food and Drug Administration shall appear on the unit container or on the individual packets or both, at the option of the contractor.

6170-6H

3.5.13 Patient information tag. Each type II, III, and IV kit shall contain two patient information tags. Tags shall be fabricated from 9.5 white coated stock. Tags shall measure a maximum 3 inches wide by 7 inches long and shall have a fiber grommet with a metal eyelet centered at the top. A 32 inch long ± 2 inch piece of cotton twine shall be run through the eyelet and the ends tied. The information required on the tag, both front and back, shall be as illustrated in figure 3.

3.5.14 Forceps. The forceps shall be a minimum of 3-1/2 inches in length and fully autoclavable to 290°F. They shall have a suitable sheath to protect the points and shall be shrink wrapped or heat-sealed in a plastic bag.

3.5.15 Paramedic shears. The paramedic shears shall be 5-1/2 inches minimum in length, with one serrated blade. The shears shall be high grade stainless steel with blade thickness being a minimum 0.054 inch. The handles shall be plastic or rubber covered. The shears shall be fully autoclavable to 290°F and shall be capable of easily cutting through 8.5 (minimum) ounce per square yard aramid (Nomex) gabardine cloth (see 6.4).

3.5.16 Lead pencil. The pencil shall be 3 inches minimum in length and 3/8 inch maximum in diameter. The pencil shall have a number 2 or equivalent hardness lead with a sharpened point. An eraser is not required.

3.5.17 First aid manual. Each type II, III, and IV kit shall contain the latest edition of the American Red Cross first aid pocket guide produced and printed by the American Red Cross (see 2.2). As an alternative when the Red Cross publication is no longer available, the first aid manual shall be First Aid Fast, publication #652117 from Stay Well (see 2.2).

3.5.18 Contents list. The contents list shall be a complete listing of components by nomenclature, quantity, unit of issue, and, if applicable, expiration date, which shall be adjacent to the component's unit of issue. The contents shall be listed in the order shown in 3.7. The following items require expiration dating: antiseptic kit, povidone iodine, povidone iodine swabs, aspirin tablets, acetaminophen tablets, and eye wash solution. The contents list shall also include a column for replacement expiration dates. the following items require expiration dating: antiseptic kit, povidone iodine, povidone iodine swabs, aspirin tablets, acetaminophen tablets, and eye wash solution. Kit lot number shall be printed or stamped at the top right-hand corner of the list. The contents list shall be affixed to the inside of the lid on the type II and III kits and inserted loose into the type I and IV kits. The contents labels for the type II and III kits shall be affixed to the inside of the lid with the top of the label toward the hinge so that the label can be read with the kit hanging on a wall and the lid opened. The list shall be printed in black ink on white 20-pound minimum offset paper. Format and typography shall follow figure 4.

3.5.19 Expiration date label. A separate expiration date label shall be affixed to the outside of the lids on the type II and III kits and on the outside of the perishable items bag. For the type IV kit, this label shall be inserted between the protective plastic bag and the kit and on the perishable items bag. This label shall have an extra column for a replacement expiration date (see 5.4.1). Format and typography shall follow figure 5. The type I kit does not require a separate expiration date label.

6170-6H

3.5.20 Splint. The splint shall be constructed of malleable, radiolucent aluminum having rounded corners and a polyvinyl foam (closed pore) coating. The splint shall measure 4-1/4 inches wide by 36 inches long ± 1 inch in either dimension and weigh 4 ounces ± 1 ounce. It shall be capable of splinting injuries to the arm, wrist, leg, ankle, and neck. The splint shall come from the manufacturer folded flat and sealed in a polybag, measuring no more than 4-1/4 inches by 9-1/2 inches by 1 inch. Splint use instructions shall be included. The color shall be orange/blue (see 6.5).

3.5.21 Blanket. The blanket shall be constructed from an aluminized polyester film. When unfolded it shall measure a 56 by 84 inches ± 1 inch in either dimension. It shall be compactly folded (approximately 2 by 4 by 1-1/2 inches) and sealed in a polybag. Because the blanket shall be used in emergency or rescue situations to prevent post-accident shock or hypothermia, it shall be a Food and Drug Administration registered medical device. The color shall be silver/silver (see 6.5).

3.6 Perishable Items. The Type II, III, IV kits shall have the perishable items contained in a single resealable bag. The bag shall be labeled "PERISHABLE ITEMS" and have the same expiration label as is adhered to the outside of the Type II and III kits and inserted into the Type IV kit. The type I kit shall have the perishable items inserted last into the kit prior to the kit being closed. The perishable items in these kits are the Antiseptic Kit (3.5.1), eye wash/tincture of green soap/calamine lotion bag (3.5.8), aspirin bag (3.5.11), and acetaminophen bag (3.5.12) as applicable to each kit.

3.7 Kit contents. The contents for each kit shall be as listed in tables I through IV.

3.8 Workmanship. All items shall conform to the quality of product established by this document, and the occurrence of nonconformities shall not exceed the applicable acceptable quality levels. There shall be no nonconformities that affect use, appearance, or serviceability.

3.9 Metric products. Products manufactured to metric dimensions will be considered on an equal basis with those manufactured using inch/pound units, provided they fall within the tolerances specified using conversion tables contained in the latest revision of FED-STD-376, and all other requirements of this specification are met.

3.10 Recovered materials. The contractor is encouraged to use recovered material in accordance with Federal Acquisition Regulation 23.4 to the maximum extent practical.

6170-6H

Table I. Type I kit contents.

Nomenclature	Unit of issue	Qty per kit	Requirement paragraph
Case	Each	1	3.2.1
<u>Antiseptics</u>			
Povidone iodine swabs	Each	3	3.5.1.2
2x2 Gauze pads	Each	2	3.5.1.3
2x3 Non-stick pads	Each	2	3.5.1.3
<u>Bandages</u>			
1x3 Woven adhesive	Each	6	3.5.3.1
1/2x2-3/4 Butterfly	Each	4	3.5.3.3
2 in. x 4 yds. Elastic	Roll	1	3.5.3.4
<u>Other items</u>			
Non-Latex gloves	Pair	1	3.5.2.1
Mouth-to-mouth barrier	Each	1	3.5.2.3
Towelette	Each	1	3.5.2.4
Biohazard bag	Each	1	3.5.2.5.1
1/2 in. x 2-1/2 yds. Adhesive tape	Roll	1	3.5.4
4x4 Moleskin	Each	2 (bagged)	3.5.5
Face mask	Each	1	3.5.6
Aspirin	Packet (2 tablets)	2	3.5.11
Acetaminophen	packet (2 tablets)	2	3.5.12
<u>Instructions</u>			
Mouth-to-mouth barrier use	Each	1	3.5.2.3
Contents list	Each	1	3.5.18

6170-6H

Table II. Type II kit contents.

Nomenclature	Unit of issue	Qty per kit	Requirement paragraph
Case	Each	1	3.2.2
Antiseptic kit	Bag	1	3.5.1
Body fluids barrier kit	Bag	2	3.5.2
<u>Bandages</u>			
1x3 Woven adhesive	Each	25	3.5.3.1
Knuckle	Each	12	3.5.3.2
1/2x2-3/4 Butterfly	Each	16	3.5.3.3
2 in. x 4 yds. Elastic	Roll	2	3.5.3.4
Triangular	Each	1	3.5.3.5
<u>Other items</u>			
Non-Latex gloves*	Pair	2	3.5.2.1
1/2 in. x 2-1/2 yds. Adhesive tape	Roll	3	3.5.4
4x4 Moleskin	Each	4 (bagged)	3.5.5
Cold pack, chemical	Each	1	3.5.7
Eye wash solution	Bottle	1	3.5.8
Tincture of green soap	Bottle	1	3.5.9
Calamine lotion	Bottle	1	3.5.10
Aspirin	Packet (2 tablets)	15	3.5.11
Acetaminophen	packet (2 tablets)	15	3.5.12
Patient information tag	Each	2	3.5.13
Forceps	Each	1	3.5.14
Paramedic shears	Each	1	3.5.15
Lead pencil	Each	1	3.5.16
<u>Instructions</u>			
Mouth-to-mouth barrier use	Each	1	3.5.2.3
First aid manual	Each	1	3.5.17
Contents list	Each	1	3.5.18

* These gloves are in addition to the gloves supplied as a part of the body fluids barrier kit. Each pair of gloves shall be packaged in a resealable plastic bag (see 3.5.2.1).

6170-6H

Table III. Type III kit contents.

Nomenclature	Unit of issue	Qty per kit	Requirement paragraph
Case	Each	1	3.2.3
Antiseptic kit	Bag	2	3.5.1
Body fluids barrier kit	Bag	2	3.5.2
<u>Bandages</u>			
1x3 Woven adhesive	Each	25	3.5.3.1
Knuckle	Each	12	3.5.3.2
1/2x2-3/4 Butterfly	Each	16	3.5.3.3
2 in. x 4 yds. Elastic	Roll	2	3.5.3.4
Triangular	Each	2	3.5.3.5
Bandage compress	Each	2	3.5.3.6
2 in. x 5 yd. Elastic support	Roll	1	3.5.3.7
Combine dressing	Each	2	3.5.3.8
<u>Other items</u>			
Non-Latex gloves*	Pair	2	3.5.2.1
1/2 in. x 2-1/2 yds. Adhesive tape	Roll	3	3.5.4
4x4 Moleskin	Each	4 (bagged)	3.5.5
Cold pack, chemical	Each	2	3.5.7
Eye wash solution	Bottle	1	3.5.8
Tincture of green soap	Bottle	1	3.5.9
Calamine lotion	Bottle	1	3.5.10
Aspirin	Packet (2 tablets)	15	3.5.11
Acetaminophen	packet (2 tablets)	15	3.5.12
Patient information tag	Each	2	3.5.13
Forceps	Each	1	3.5.14
Paramedic shears	Each	1	3.5.15
Lead pencil	Each	1	3.5.16
<u>Instructions</u>			
Mouth-to-mouth barrier use	Each	1	3.5.2.3
First aid manual	Each	1	3.5.17
Contents list	Each	1	3.5.18

* These gloves are in addition to the gloves supplied as a part of the body fluids barrier kit. Each pair of gloves shall be packaged in a resealable plastic bag (see 3.5.2.1).

TABLE IV. Type IV (belt) kit contents

Table IV. Type IV (belt) kit contents.

Nomenclature	Unit of issue	Qty per kit	Requirement paragraph
Case	Each	1	3.2.4
Antiseptic kit	Bag	1	3.5.1
Body fluids barrier kit	Bag	2	3.5.2
<u>Bandages</u>			
1x3 Woven adhesive	Each	25	3.5.3.1
Knuckle	Each	12	3.5.3.2
1/2x2-3/4 Butterfly	Each	16	3.5.3.3
2 in. x 4 yds. Elastic	Roll	4	3.5.3.4
Triangular	Each	2	3.5.3.5
Bandage compress	Each	2	3.5.3.6
2 in. x 5 yd. Elastic support	Roll	1	3.5.3.7
Combine dressing	Each	3	3.5.3.8
<u>Other items</u>			
Non-Latex gloves*	Pair	2	3.5.2.1
1/2 in. x 2-1/2 yds. Adhesive tape	Roll	3	3.5.4
4x4 Moleskin	Each	4 (bagged)	3.5.5
Cold pack, chemical	Each	2	3.5.7
Eye wash solution	Bottle	2	3.5.8
Tincture of green soap	Bottle	2	3.5.9
Calamine lotion	Bottle	2	3.5.10
Aspirin	Packet (2 tablets)	15	3.5.11
Acetaminophen	packet (2 tablets)	15	3.5.12
Patient information tag	Each	2	3.5.13
Forceps	Each	1	3.5.14
Paramedic shears	Each	1	3.5.15
Lead pencil	Each	1	3.5.16
Splint	Each	1	3.5.20
Blanket	Each	1	3.5.21
<u>Instructions</u>			
Mouth-to-mouth barrier use	Each	1	3.5.2.3
First aid manual	Each	1	3.5.17
Contents list	Each	1	3.5.18

* These gloves are in addition to the gloves supplied as a part of the body fluids barrier kit. Each pair of gloves shall be packaged in a resealable plastic bag (see 3.5.2.1).

4. QUALITY ASSURANCE PROVISIONS

4.1 Responsibility for inspection. Unless otherwise specified in the contract or purchase order, the contractor is responsible for the performance of all inspection requirements (examinations or tests) as specified herein. Except as otherwise specified in the contract or purchase order, the contractor may use his/her own or any other facilities suitable for the performance of the inspection requirements specified herein, unless disapproved by the Government. The Government reserves the right to perform any of the inspections set forth in this specification where such inspections are deemed necessary to ensure supplies and services conform to prescribed requirements.

4.1.1 Responsibility for compliance. All items shall meet all requirements of sections 3 and 5. The inspection set forth in this specification shall become a part of the contractor's overall inspection system or quality program. The absence of any inspection requirements in this specification shall not relieve the contractor of the responsibility of ensuring that all products or supplies submitted to the Government for acceptance comply with all requirements of the contract. Sampling inspection, as part of manufacturing operations, is an acceptable practice to ascertain conformance to requirements, however, this does not authorize submission of known nonconforming material, either indicated or actual, nor does it commit the Government to accept nonconforming material.

4.1.2 Responsibility for dimensional requirements. Unless otherwise specified in the contract or purchase order, the contractor is responsible for ensuring that all specified dimensions have been met. When dimensions cannot be examined on the end item, inspection shall be made at any point or at all points in the manufacturing process necessary to ensure compliance with all dimensional requirements.

4.1.3 Certificates of compliance. Unless otherwise specified, certificates of compliance are acceptable as proof of conformance to all test requirements of this and the referenced documents. Certificates shall be based on tests performed by the contractor or the component manufacturer. Test results shall be made available upon request. The Government reserves the right to perform any of the inspections set forth in this specification where such inspections are deemed necessary to assure that supplies and services conform to prescribed requirements.

4.2 Sampling for inspections and tests. Sampling for inspections and tests shall be made in accordance with ANSI/ASQC Z1.4. The inspection level and acceptable quality level (AQL) shall be as specified. All first aid kits assembled at one time shall be considered a lot for purposes of acceptance inspection and test. A sample unit shall be one complete kit of each type.

4.3 Quality conformance inspection. Each end item lot shall be sampled and inspected as specified in 4.3.4.1 and 4.3.4.2. The packaging shall be inspected as specified in 4.4. Unless otherwise specified in the contract or purchase order (see 6.2), the first articles submitted in accordance with 3.1 shall be inspected as specified in 4.3.4.1 and 4.3.4.2 except that packing as specified in 5.3 is not required. The presence of any nonconformity or failure to pass any test shall be cause for rejection of the first articles.

4.3.1 First article inspection. At the contractor's option, first articles may be submitted without the aspirin tablets (3.5.11) or the acetaminophen tablets (3.5.12), when the following documentation is submitted for approval: (1) reason complying material is not available for first article inspection; (2) certification that an agreement has been made with a supplier for the required material, specifying material to be supplied and complete description, including packaging details; (3) a letter from the component material supplier substantiating this information. A representative sample of labeled units may be submitted for first article inspection. The Government shall, as a minimum, inspect the first lot of final production for compliance to the commitments of any such certifications.

4.3.2 Component and material inspection. In accordance with 4.1, components and materials shall be inspected in accordance with all the requirements of referenced documents, drawings, and standards unless otherwise excluded, amended, modified, or qualified in this document or applicable purchase document. Certificates of conformance are acceptable evidence that kit components meet their respective requirements and that the type II and III kit cases meet their requirements.

4.3.3 Certification. Unless otherwise specified (see 6.2), the contractor may provide certificates of compliance for all materials and components in lieu of lot by lot testing (see 4.1.3). For first article presentations, actual filtering efficiency test data shall be provided for the material used to manufacture the face mask portion of the face shield. When the contractor changes any component supplier, a certification for the new component(s) shall be forwarded immediately to the Government's administrative contracting officer. All certificates shall include as a minimum:

Product description, including specification, type, class, and form
when applicable
Quantity purchased
Date of manufacture
Purchase source, address, and telephone number
Purchase date
Lot number traceable to materials used in production
Contract number

As part of certification, the contractor shall supply current 510(k) authorization numbers on FDA letterhead for the gloves, face shield, and mouth-to-mouth barrier. In addition, certifications should include the suppliers FDA establishment number (see 3.4).

4.3.4 End item examination.

4.3.4.1 End item visual examination. The end items shall be examined for the nonconformities listed in table V. The inspection level for kit contents and cases shall be I and the acceptable quality level (AQL) expressed in terms of nonconformities per hundred units shall be 1.0.

6170-6H

TABLE V. Classification of nonconformities

Examine	Nonconformity	Classification	
		Major	Minor
Kit contents	Any item not as specified	X	
	Any required item missing, broken, rusted, corroded, leaking, torn or punctured	X	
	Expiration dates with less than the minimum time required	X	
	Unit packaging torn, punctured, or otherwise not as specified	X	
	Unit packaging, including tamper evident seals, not as Specified	X	
	Unit packaging not labeled or marked as required	X	
	Unit packaging not made from specified paperboard	X	
	Any liquid container not securely tightened or sealed	X	
	Any liquid container showing signs of leakage	X	
	Any liquid container not properly labeled	X	
	Instruction sheets	Missing or not as specified	X
Case (type I)	Not of material specified	X	
	Not in configuration specified	X	
Case (type II, III)	Not steel or steel not as specified	X	
	Color and/or finish not as specified	X	
	Handle, latches, or wall mounting not as specified	X	
	Corners not rounded	X	
	Cover does not include workable 90 ⁰ (+10 ⁰ /-5 ⁰) stop for lid shelf	X	
Markings	Omitted, incorrect, illegible, misplaced, or size of cross or characters not as specified	X	
	Markings of the wrong color	X	

4.3.4.2 End item dimensional examination. End items shall be examined for the nonconformities listed in table VI. Only those dimensions that can be evaluated without damaging or disassembling the end items shall be examined. The inspection level shall be S-3. An AQL, expressed in terms of nonconformities per hundred units, shall be 6.5.

TABLE VI. End item dimension nonconformities

Examine	Nonconformity	Classification	
		Major	Minor
Case (type II, III)	Not as specified	X	
Unit containers	Not as specified	X	
Kit contents	Not as specified	X	

6170-6H

4.4 Packaging inspection. An examination shall be made to determine that packing and marking comply with the section 5 requirements. Nonconformities shall be scored in accordance with the list below. The sample unit shall be one shipping container fully packaged except that it shall not be palletized and it need not be closed. Shipping containers fully packaged that have not been palletized shall be examined for nonconformities in closure. The lot size shall be the number of shipping containers in the end item inspection lot. The inspection level shall be S-2 and the AQL shall be 2.5 nonconformities per hundred units.

<u>Examine</u>	<u>Nonconformities</u>
Markings	Omitted; incorrect; illegible; of improper size, location, sequence, or method of application.
Materials	Any component missing or not as specified. Any component damaged, affecting serviceability.
Workmanship	Inadequate application of components, such as: incomplete closure of container flaps, improper taping, loose strapping, inadequate stapling. Bulged or distorted container.
Contents	Number per container is more or less than required.

5. PACKAGING

5.1 Preservation. Preservation shall be in accordance with ASTM D 3951 and as specified in the contract or purchase order.

5.2 Unit packaging.

5.2.1 Type I and IV kits. Each assembled type I and type IV kit shall be placed in a snug-fitting flat clear plastic bag. The bag may be fabricated from polyethylene film tubing or sheeting and shall be marked in accordance with 5.4.1. When sheeting is used, the bag shall be formed by folding the sheet in half and heat sealing the sides. The seals shall be straight, continuous, and parallel to each other. The bag shall be closed by heat sealing, with the seal made as close as possible to the open end. When tubing is used, one end shall be heat sealed, the kit inserted, and the closure seal made as close as possible to the open end. Before and during the final heat sealing closure operation, excess air within the bag shall be expelled. In addition to the packaging cited below, the slide fastener pull tabs of each type IV kit shall be secured together with a plastic tamper evident tie.

5.2.2 Type II and III kits. Each assembled, closed, and latched type II and type III kit shall be overwrapped to protect exterior surfaces.

6170-6H

5.3 Packing. The kits preserved in accordance with 5.1 and packaged as required in 5.2 shall be packed in close-fitting fiberboard boxes, minimum burst strength 200 psi. Corrugated or chipboard spacers shall be placed between the metal cases when packing type II or type III kits. The boxes shall comply with the National Motor Freight Classification. Boxes shall be type CF (variety SW or DW) or SF, class Domestic, meeting the requirements of the latest version of ASTM D 5118. Containers shall be sealed with tamper evident tape. The number of units per container shall be as listed below:

Type I - 100 each
Type II - 10 each
Type III - 10 each
Type IV - 10 each

5.4 Marking. In addition to any special marking required by the contract or purchase order, shipping containers shall be marked in accordance with FED-STD-123. Shipping containers also shall be marked with the date of manufacture and the date of reinspection (24 months minimum after the date of manufacture).

5.4.1 Marking for unit packaging. The type I and IV kits, preserved and packaged as specified, shall have the required identification information legibly printed or stamped in black directly across the center face of the bag or on a white paper label inserted within the bag so that it is readable through the plastic. The type II and III kits shall have a white self-adhesive type label containing identification information affixed to the case lid (see figure 5). In addition, an expiration date label is required for all but the type I kit. Each type II, III, and IV kit shall have the perishable items and their expiration dates listed in such a manner that they are readable without opening the unit package. See 3.5.19 for requirements of this label.

6. NOTES

6.1 Intended use. The kits are intended primarily for use by employees for the treatment of injuries incurred during field work and firefighting activities.

6.2 Acquisition requirements. Acquisition documents must specify:

- a. Title, number, and date of this specification.
- b. Type and quantity of each kit.
- c. When first article samples are not required (see 3.1, 4.3, and 6.3).

6.3 First article. When first articles are required, they shall be inspected and approved under the appropriate provisions of FAR 52.209. The first article shall consist of three completely assembled kits of each type covered under this specification and shall be preproduction samples. The contracting officer should specify the appropriate type of first article and the number of units to be furnished. The contracting officer should include specific instructions in all acquisition instruments regarding arrangements for selection, inspection, and approval of the first articles.

6.4 Cloth samples. The aramid (Nomex) cloth for testing the cutting ability of the paramedic shears (see 3.5.15) may be obtained from the preparing activity (see 6.6)

6170-6H

6.5 Sources of supply. The Povidone-Iodine Topical Solution USP Swabs specified in 3.5.1.2 (10% Povidone Iodine Solution (1% Available Iodine) Topical Antimicrobial, 10 Swabs with 0.02 fl. Oz (0.6ml) each) are available from the James Alexander Corporation, Blairstown, NJ 07825. A splint meeting the requirements specified in 3.5.20 is the Sam Splint available from the Seaberg Co., Inc., P.O. Box 734, South Beach, OR 97366 (541-867-4726). A blanket meeting the requirements specified in 3.5.21 is the Space brand emergency blanket available from MPI Outdoors, 85 Flagship Dr., Suite D, North Andover, MA 01845 (508-685-2700).

6.6 Preparing activity. USDA Forest Service, Missoula Technology and Development Center, 5785 Highway 10 West, Missoula, MT 59808.

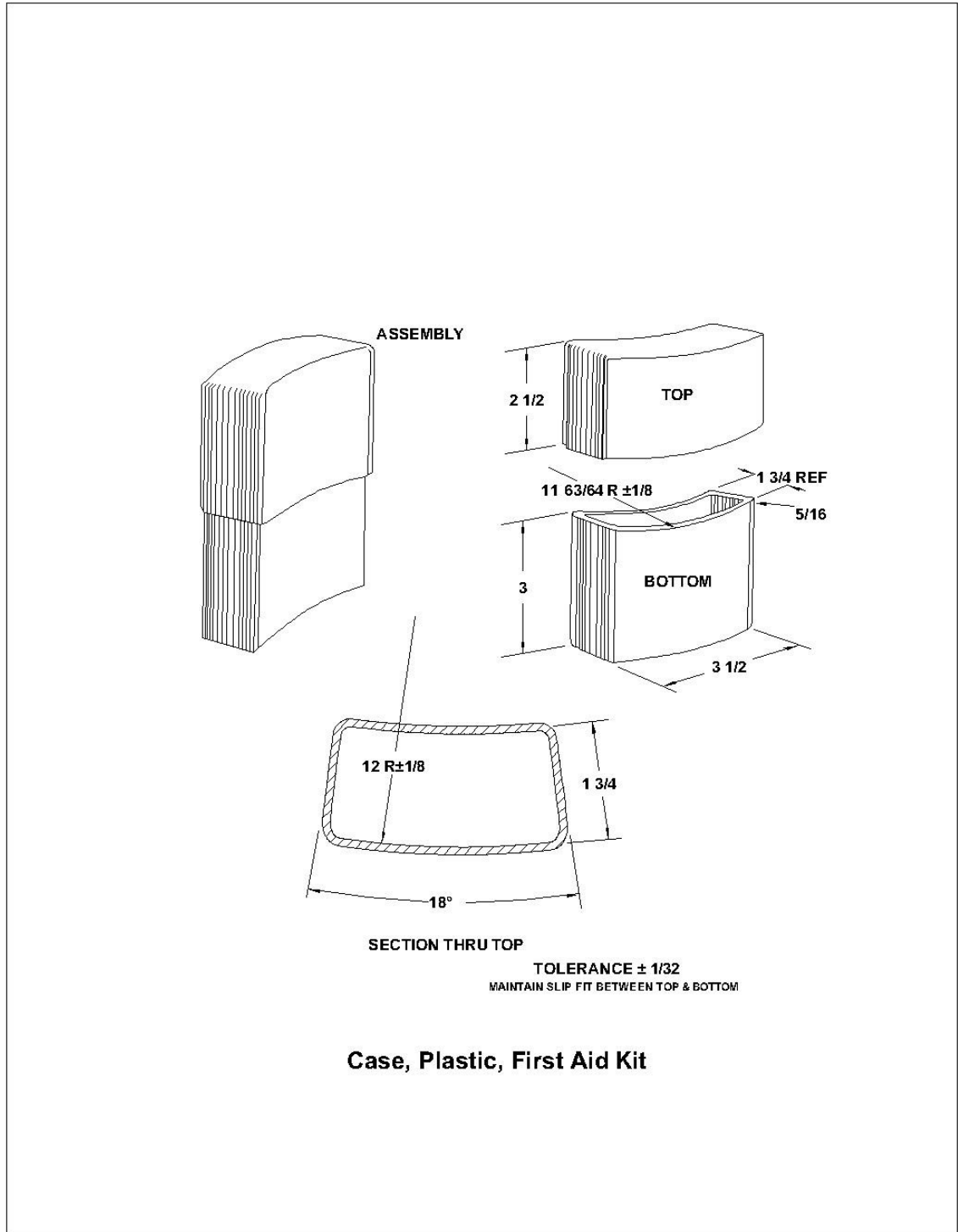


Figure 1 - Type I Case

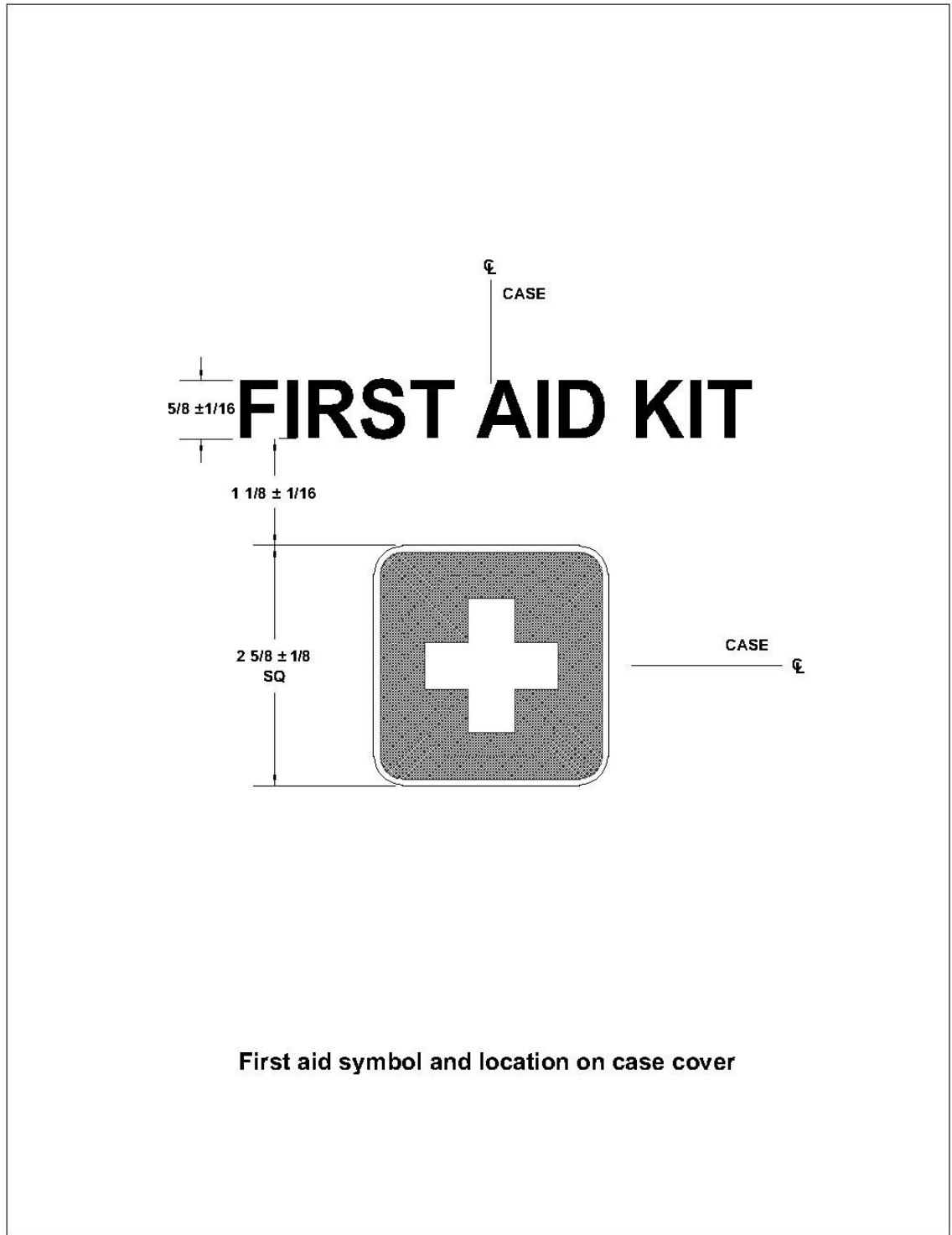


Figure 2 - Type II and Type III Lid Markings

32" twine
Reinforcement Grommet

(OVER) (OVER)

PATIENT INFORMATION TAG

NAME

DATE _____ TIME OF EMERG. ONSET _____ (A.M./P.M.)

NATURE OF ILLNESS OR INJURY

Unconscious _____ Vomited? _____

FIRST AID RENDERED

Pupils: _____ Skin color: _____

Time _____

Pulse _____

Resp. _____

B.P. _____

(OVER) (OVER)

1. History of past illness: _____

2. On drugs or medication? _____

3. Bleeding tendency? Yes No

4. Allergic to medications? _____

5. Last meal Date Time

Additional notes: (Contact lenses, Medic Alert, etc.)

Signed: _____

Name of First Aider

FRONT
BACK

Patient information tag

Figure 3 - Patient Information Tags

6170-6H

FIRST AID KIT CONTENTS TYPE III
NSN 6545-00-656-1094

NOMENCLATURE	UI	Qty	EXP DATE	RPLCMNT EXP DATE
Body fluids barrier kit	Bag	2		
<u>PERISHABLE ITEMS BAG</u>				
Antiseptic kit	Bag	1	XX/XX	_____
Eye wash solution	Bottle	2	XX/XX	_____
Tincture of green soap	Bottle	1	XX/XX	_____
Calamine lotion	Bottle	1		
Aspirin	Packet	15	XX/XX	
	(2 tablets/packet)			
Acetaminophen	Packet	15	XX/XX	_____
	(2 tablets/packet)			_____
<u>BANDAGES</u>				
Woven adhesive	Each	25		
Knuckle	Each	12		
Butterfly	Each	16		
Elastic	Roll	2		
Triangular	Each	2		
Bandage compress	Each	2		
Elastic support	Roll	1		
Combine dressing	Each	2		
<u>OTHER ITEMS</u>				
Non-Latex Gloves*	Pair	2		
Eye wash solution	Bottle	1		
Tincture of green soap	Bottle	1		
Calamine lotion	Bottle	1		
Aspirin	Packet	15		
	(2 tablets/packet)			
Acetaminophen	Packet	15		
	(2 tablets/packet)			
Patient information tag	Each	2		
Forceps	Each	1		
Paramedic shears	Each	1		
Lead pencil	Each	1		
<u>INSTRUCTIONS</u>				
Mouth-to-mouth barrier use	Each	1		
First aid manual	Each	1		
Contents list	Each	1		

* These gloves are in addition to the gloves supplied as a part of the body fluids barrier kit. Each pair of gloves shall be packaged in a resealable plastic bag (see 3.5.2.1).

Figure 4 - Contents List

6170-6H

(bar code information)
6545-00-656-1094 (1/)
IT, FIRST AID, USFS TYPE III, LARGE CREW (1/)
USFS 6170-6H
LHB INDUSTRIES (1/)
CONTRACT GS-07F070470 (1/)
DATE OF MFG 10/03 (1/)

(1/ - Insert correct information)

EXPIRATION LABEL TYPE III				
NOMENCLATURE	QTY	UI	EXP DATE	REPL EXP DATE
Antiseptic kit	2	1 BOX	XX/XX	
Eye wash solution	1	1 BOTTLE	XX/XX	
Aspirin	15	1 PACK (2 TABS/PACK)	XX/XX	
Acetaminophen	15	1 PACK (2 TABS/PACK)		

Figure 5 - Identification and Expiration Labels

6170-6H



Standardization Document Improvement Proposal

This form is provided to solicit beneficial comments that may improve this document and enhance its use. Contractors, government activities, manufacturers, vendors, and users are invited to submit comments to:

USDA Forest Service
Missoula Technology and Development Center
5785 Highway 10 West
Missoula, MT 59808

Attach any additional pertinent information that may be of use in improving this document to this form and mail in a envelope. A response will be provided when the submitter includes their name and address.

NOTE: This form shall not be used to submit requests for waivers, deviations, or clarification of specification requirements on current contracts. Comments submitted on this form do not constitute or imply authorization to waive any portion of the document, or to amend contractual requirements.

Document Identification: **6170-6H - KITS, FIRST AID**

Submitter's Name (Optional. Please print or type): _____

Submitter's Organization and Address: _____

Vendor User Manufacturer _____

Phone Number: _____

Date: _____

Has any part of the Document created problems or required interpretation in procurement use?

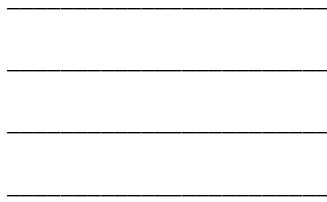
Is any part of the Document too rigid, restrictive, loose, or ambiguous? Please explain below:
Give paragraph number and wording: _____

Recommended change(s): _____

Reason for recommended change(s): _____

Remarks:

Fold



Attach
stamp

USDA Forest Service
Missoula Technology and Development Center
5785 Highway 10 West
Missoula, MT 59808

Fold and staple for mailing

